

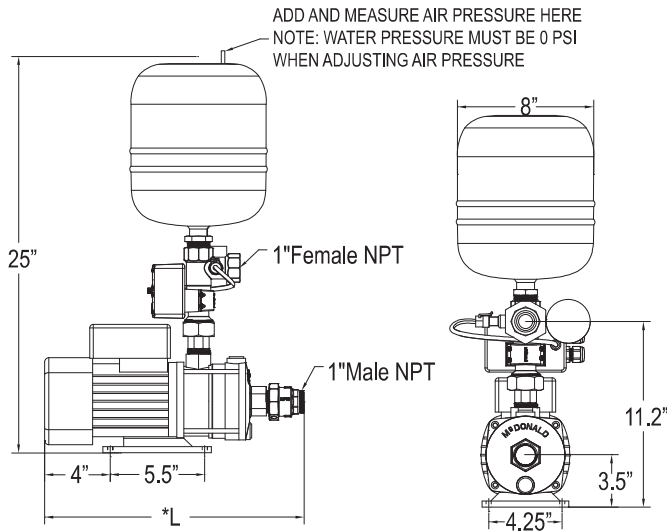
# SUBMITTAL DATA SHEET

## DuraMAC™ Booster Pumps Residential | Light Commercial | Commercial **DuraMAC™ - Residential Booster**

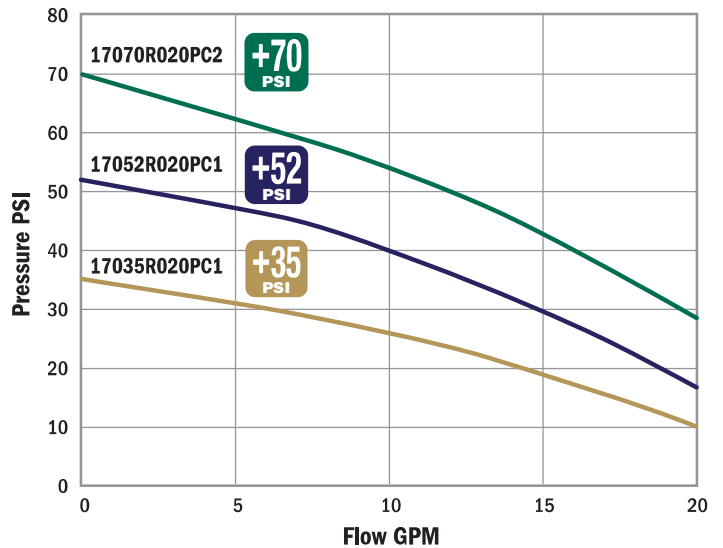


See Pumps & Accessories Price List for Limited Warranty details.

Not all boosting applications require complicated boosting systems. The DuraMAC™ Boosting system is simple, versatile, sophisticated, and reliable. Quite simply, it is the world's most versatile boosting system for commercial or irrigation use.



\*See chart below



### 20 Gallon/Minute (GPM) Max

DuraMAC™ Model	Pump Boost	Amps	Length "L"	Voltage	Power	Pressure Reducing Valve recommended for installation with incoming pressure greater than:
17035R020PC1	35 PSI	5.5	15.26"	120 - 60 Hz	1/2 HP	45 PSI
17052R020PC1	52 PSI	7.0	15.97"	120 - 60 Hz	3/4 HP	28 PSI
17070R020PC2	70 PSI	4.0	16.68"	230 - 60 Hz	1 HP	10 PSI (For use with holding tank)

Pressure tank required. See instruction manual for sizing information.

\*Many plumbing codes do not recommend system pressure exceeding 80 PSI. Refer to local plumbing codes for maximum boosted pressure.

### SUBMITTAL INFORMATION

- Water Pressure Boosting System for irrigation or light commercial use
- Easy set-up installation
- Digital control for three modes of operation
- Durable stainless steel and no-lead brass connections
- Two gallon pressure tank included
- TEFC single phase motor for quiet operation
- Electronics separated and sealed from waterway
- Pressure gauge included
- No-Lead brass check valve included
- Dry-Run protection

NO-LEAD: The weighted average of the wetted surface of this no-lead product contacted by consumable water contains less than one quarter of one percent (0.25%) lead.



**A.Y. McDonald Mfg. Co.**  
P.O. Box 508  
Dubuque, IA 52004-0508

**Toll Free: 1-800-292-2737**  
**Fax: 1-800-832-9296**  
**Hours: 7:00 a.m. - 5:00 p.m., CST**

[sales@aymcdonald.com](mailto:sales@aymcdonald.com)  
[www.aymcdonald.com](http://www.aymcdonald.com)

A.Y. McDonald considers the information on this assembly drawing correct when published. Item and option availability, including specifications, are subject to change without notice.

**Submitted by:**

# SUBMITTAL DATA SHEET

## DuraMAC™ Booster Pumps Residential | Light Commercial | Commercial DuraMAC™ - Residential Booster



See Pumps & Accessories Price List for Limited Warranty details.

### Sizing Information

DuraMAC™ Booster Systems are designed to shut off when no flow is detected. Pump pressure boost should be added to current system pressure to determine total system pressure when boosted.

**Example:**  
Household system pressure before boost = 30 PSI

<b>30</b>	+	=	=	*
Household Pressure			Total Pump Pressure	Total Pressure After Boost

\*Not Recommended to Exceed 80 PSI

<b>Models Available:</b>		<b>Boost</b>
17035R020PC1		+35
17052R020PC1		+52
17070R020PC2		+70

<b>30</b>	+	<b>35</b>	=	<b>65</b>
Household Pressure		Total Pump Pressure		Total Pressure After Boost

Based on this example, the recommended model for this application is the 17035R020PC1.

For systems with fluctuating pressure, a pressure reducing valve is recommended to assure system pressure stays below 80 PSI.

### Sizing Chart

Total static pressure DuraMAC™ pump

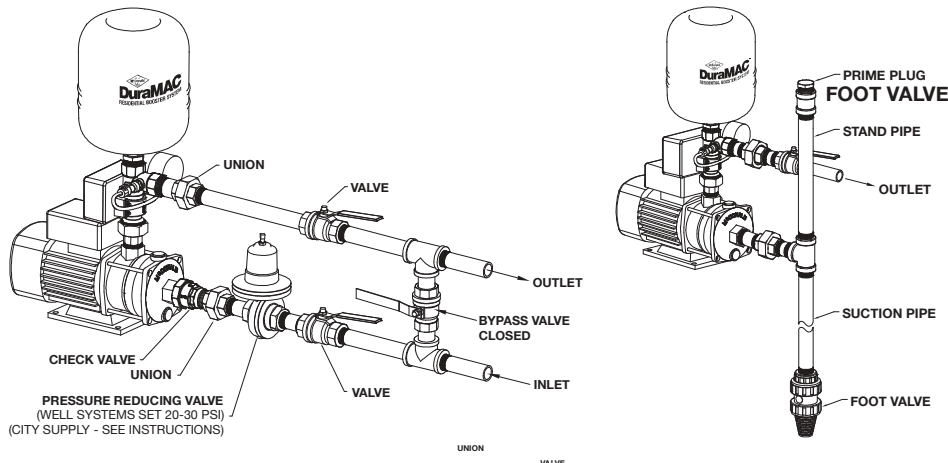
Incoming Pressure (PSI)	17035R020PC1 <b>+35</b>	17052R020PC1 <b>+52</b>	17070R020PC2 <b>+70</b>
60			
55	90		
50	85	PRIME PLUG	
45	80		
40	75	STAND PIPE	
35	70		
30	65	OUTLET	
25	60	77	
20	55	72	90
15	50	67	85
10	45	62	80

SUCTION PIPE

### Materials of Construction

Impellers	304 Stainless Steel
Pump Casing Inlet	301 Stainless Steel
Pump Casing Outlet	301 Stainless Steel
Pump Seal (stationary)	Silicon Carbide
Pump Seal (rotating)	Carbon / NBR
Diffuser	304 Stainless Steel
Suction Check Valve	No-Lead Brass
Pump Control Body	No-Lead Brass

### Typical Installation



**NO-LEAD:** The weighted average of the wetted surface of this no-lead product contacted by consumable water contains less than one quarter of one percent (0.25%) lead.



**A.Y. McDonald Mfg. Co.**  
P.O. Box 508  
Dubuque, IA 52004-0508

**Toll Free: 1-800-299-2737**  
**Fax: 1-800-832-9296**  
**Hours: 7:00 a.m. - 5:00 p.m., CST**

sales@aymcdonald.com  
www.aymcdonald.com

A.Y. McDonald considers the information on this assembly drawing correct when published. Item and option availability, including specifications, are subject to change without notice.

Submitted by: